



## TECHNICAL DATA

Input Voltage: DC 12V  
 Input Current: 25mA Max  
 Input Power: 0.3W  
 Output Current: 10mA Max  
 Output Power: 0.1W  
 Dimming: Class 2, 0-10V DC 10mA Max  
 Sinking Current: 10mA Max

Bluetooth Transmit: 100ft Max  
 Radio Frequency: 2.4GHz ± 75MHz  
 Bluetooth Version: 4.2  
 Housing Material: UL 94-5VA  
 Indoor Use Only  
 Detection Range: 40ft Max  
 Mounting Height: 18ft Max  
 Operating Temperature: -30°C to 55°C,  
 -22°F to 131°F  
 Storage Temperature: -30°C to 85°C,  
 -22°F to 185°F  
 IP Rating: IP20  
 Color: White

Complies to UL8750, UL1376, RoHS  
 Safety: cULus Recognized Component

## DESCRIPTIONS

BMS-L108-PIR-DC-BLE-KL-BH4 sensors are designed for mating with BH4S receptacles to enable Bluetooth wireless luminaire level lighting control of commercial indoor luminaires such as panels, troffers, strips, vapor tights, wraps, and low bays.

## FEATURES

- Daylight harvesting + PIR digital sensing technology
- Low-profile linear design with minimal height above luminaire
- 4-pin design enables color-tuning
- Digital sensor design

### Note:

- Requires customized, tooled hole to install this sensor
- Requires Dim-to-Off LED drivers
- Requires BH4S receptacle

## ORDERING INFORMATION

Model No.	Description
BMS-L108-PIR-DC-BLE-KL-BH4	Plug and Play Low Bay Sensor- BH4 Base

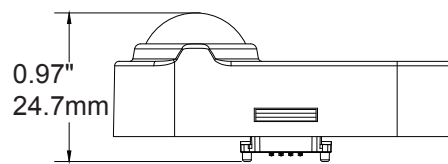
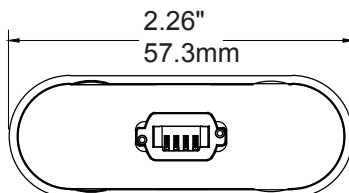
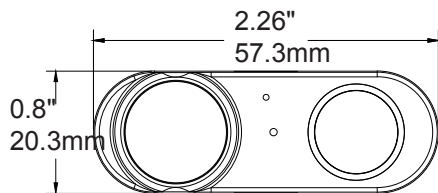
Mating Receptacles (Not Included in the product package)



BH4S

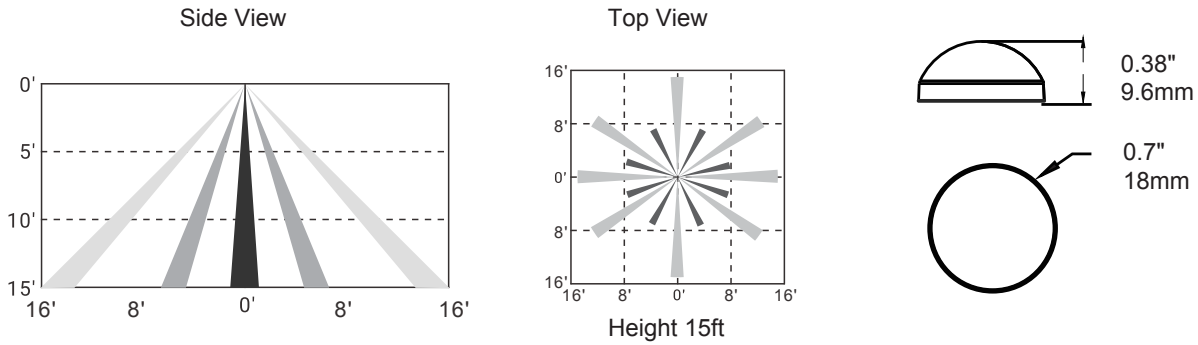
## PHYSICAL DIMENSIONS

Unit: inch/mm

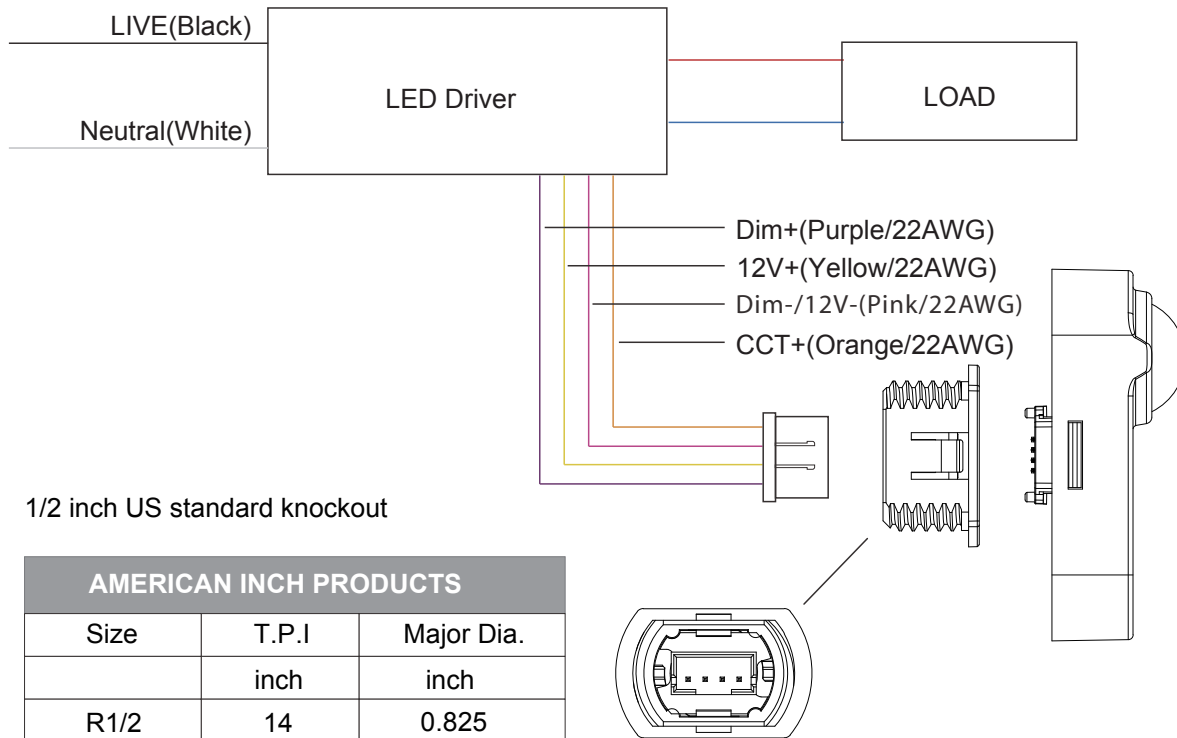


## DETECTION AREA

Unit:inch/mm



## WIRING DIAGRAM



## WARRANTY

Five year limited warranty.

Specifications subject to change without notice.